



BALL VALVE DN15 PN40

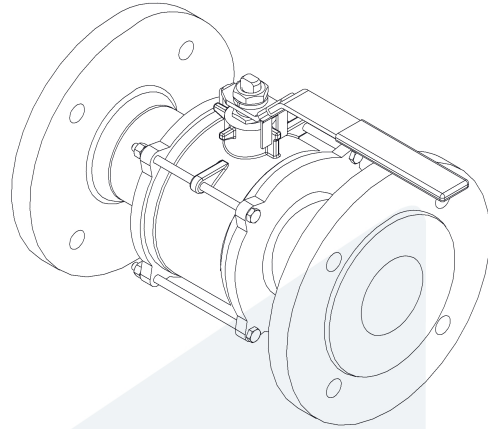
20-00000055
440164

Straight type

DESCRIPTION: Three piece, full bore, Cast Steel body ball valve with Stainless Steel ball and PTFE seat. Raised face flanges.

STANDARD & DESIGN:

| | |
|-----------------------|------------------|
| Face To Face Standard | EN 558, series 1 |
| Remark | Connection: PN40 |
| Throughput Direction | Straight |
| Execution | Full Bore |
| End Type | Flanged |
| Standard | DIN |
| Material Seat | PTFE |
| Material Body | Cast Steel |
| Sub Category | BALL |
| Item Number | 20-00000055 |
| Category | Valve |



| No | Part | Material | Code | Application |
|----|--------|--------------------------------|---------------|-------------------------------|
| 1 | Body | Cast Steel | ASTM A216-WCB | Air |
| 2 | Cap | Cast Steel | ASTM A216-WCB | Boiler feedwater |
| 3 | Ball | Stainless Steel | ASTM A351-CF8 | Cargo oil |
| 4 | Seat | PTFE | | Condensate |
| 5 | Stem | Stainless Steel | AISI 316 | Flammable hydraulic oil |
| 6 | Handle | Stainless Steel, Plastic Cover | AISI 430 | Fuel oil |
| | | | | Gas |
| | | | | Lubricating oil |
| | | | | Non-flammable hydraulic fluid |
| | | | | Sea water |
| | | | | Steam |
| | | | | Thermal oil |
| | | | | Water |

| DN | Pressure Rating Id | nxdd | Hcd | Ø D | L | Kg | L1 | H |
|----|--------------------|------|-----|-----|-----|-----|-----|----|
| 15 | 40 | 4x14 | 65 | 95 | 130 | 2.5 | 130 | 66 |

