



# BALL VALVE DN25 PN40

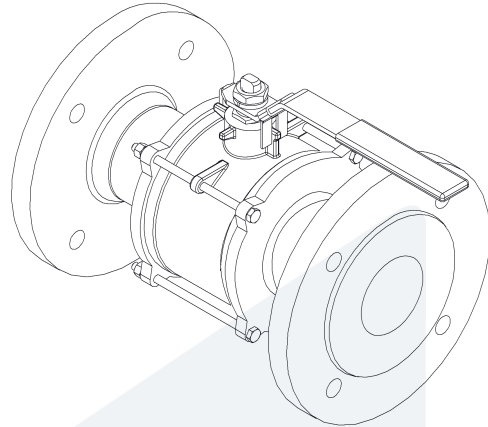
20-0000057  
440164

Straight type

**DESCRIPTION:** Three piece, full bore, Cast Steel body ball valve with Stainless Steel ball and PTFE seat. Raised face flanges.

**STANDARD & DESIGN:**

Face To Face Standard	EN 558, series 1
Remark	Connection: PN40
Throughput Direction	Straight
Execution	Full Bore
End Type	Flanged
Standard	DIN
Material Seat	PTFE
Material Body	Cast Steel
Sub Category	BALL
Item Number	20-0000057
Category	Valve



No	Part	Material	Code	Application
1	Body	Cast Steel	ASTM A216-WCB	Air
2	Cap	Cast Steel	ASTM A216-WCB	Boiler feedwater
3	Ball	Stainless Steel	ASTM A351-CF8	Cargo oil
4	Seat	PTFE		Condensate
5	Stem	Stainless Steel	AISI 316	Flammable hydraulic oil
6	Handle	Stainless Steel, Plastic Cover	AISI 430	Fuel oil
				Gas
				Lubricating oil
				Non-flammable hydraulic fluid
				Sea water
				Steam
				Thermal oil
				Water

DN	Pressure Rating Id	nxdd	Hcd	Ø D	L	Kg	L1	H
25	40	4x14	85	115	160	4.7	169	85

