



BALL VALVE DN65 PN16

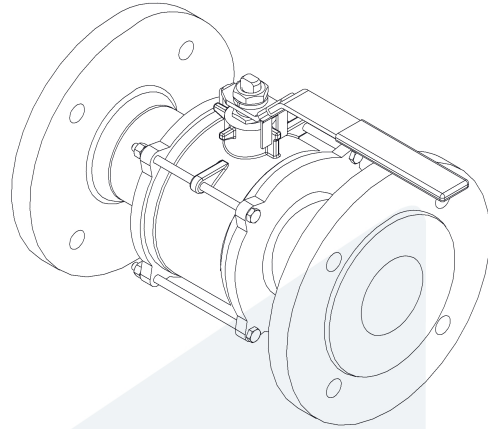
20-0000061
440192

Straight type

DESCRIPTION: Three piece, full bore, Stainless Steel body ball valve with Stainless Steel ball and PTFE seat. Raised face flanges.

STANDARD & DESIGN:

| | |
|-----------------------|----------------------|
| Face To Face Standard | EN 558, series 1 |
| Remark | Connection: PN16 |
| Throughput Direction | Straight |
| Execution | Full Bore |
| End Type | Flanged |
| Standard | DIN |
| Material Seat | PTFE |
| Material Body | Stainless Steel, 316 |
| Sub Category | BALL |
| Item Number | 20-0000061 |
| Category | Valve |



| No | Part | Material | Code | Application |
|----|--------|--------------------------------|----------------|-------------------------------|
| 6 | Handle | Stainless Steel, Plastic Cover | AISI 430 | Air |
| 1 | Body | Stainless Steel | ASTM A351-CF8M | Boiler feedwater |
| 2 | Cap | Stainless Steel | ASTM A351-CF8M | Cargo oil |
| 3 | Ball | Stainless Steel | ASTM A351-CF8M | Condensate |
| 4 | Seat | PTFE | | Corrosive fluids |
| 5 | Stem | Stainless Steel | AISI 316 | Flammable hydraulic oil |
| | | | | Fuel oil |
| | | | | Gas |
| | | | | Lubricating oil |
| | | | | Non-flammable hydraulic fluid |
| | | | | Sea water |
| | | | | Water |

| DN | Pressure Rating Id | nxdd | Hcd | Ø D | L | Kg | L1 | H |
|----|--------------------|------|-----|-----|-----|------|-----|-----|
| 65 | 16 | 4x18 | 145 | 185 | 290 | 16.9 | 250 | 154 |

