



# BALL VALVE DN40 PN40

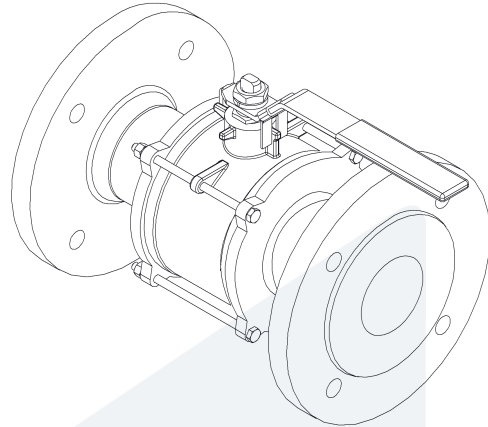
20-0000070  
440194

Straight type

**DESCRIPTION:** Three piece, full bore, Stainless Steel body ball valve with Stainless Steel ball and PTFE seat. Raised face flanges.

**STANDARD & DESIGN:**

|                       |                      |
|-----------------------|----------------------|
| Face To Face Standard | EN 558, series 1     |
| Remark                | Connection: PN40     |
| Throughput Direction  | Straight             |
| Execution             | Full Bore            |
| End Type              | Flanged              |
| Standard              | DIN                  |
| Material Seat         | PTFE                 |
| Material Body         | Stainless Steel, 316 |
| Sub Category          | BALL                 |
| Item Number           | 20-0000070           |
| Category              | Valve                |



| No | Part   | Material                       | Code           | Application                   |
|----|--------|--------------------------------|----------------|-------------------------------|
| 6  | Handle | Stainless Steel, Plastic Cover | AISI 430       | Air                           |
| 1  | Body   | Stainless Steel                | ASTM A351-CF8M | Boiler feedwater              |
| 2  | Cap    | Stainless Steel                | ASTM A351-CF8M | Cargo oil                     |
| 3  | Ball   | Stainless Steel                | ASTM A351-CF8M | Condensate                    |
| 4  | Seat   | PTFE                           |                | Corrosive fluids              |
| 5  | Stem   | Stainless Steel                | AISI 316       | Flammable hydraulic oil       |
|    |        |                                |                | Fuel oil                      |
|    |        |                                |                | Gas                           |
|    |        |                                |                | Lubricating oil               |
|    |        |                                |                | Non-flammable hydraulic fluid |
|    |        |                                |                | Sea water                     |
|    |        |                                |                | Water                         |

| DN | Pressure Rating Id | nxdd | Hcd | Ø D | L   | Kg  | L1  | H     |
|----|--------------------|------|-----|-----|-----|-----|-----|-------|
| 40 | 40                 | 4x18 | 110 | 150 | 200 | 8.4 | 185 | 108,5 |

