



# BALL VALVE 3/4" 1000WOG

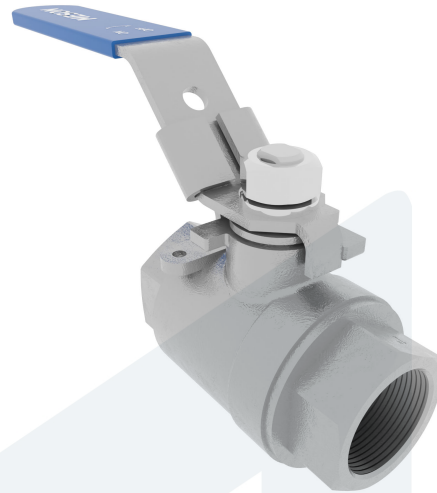
20-00000166  
442095

Straight type

**DESCRIPTION:** Two piece, full bore, Stainless Steel body ball valve with Stainless Steel ball and PTFE seat. BSPP female threaded ends.

**STANDARD & DESIGN:**

|                       |                      |
|-----------------------|----------------------|
| End Standard          | ISO 228-1            |
| Face To Face Standard | EN 16722             |
| Inspection Standard   | API 598              |
| Throughput Direction  | Straight             |
| Execution             | Full Bore            |
| End Type              | Threaded             |
| Standard              | DIN                  |
| Material Seat         | PTFE                 |
| Material Body         | Stainless Steel, 316 |
| Sub Category          | BALL                 |
| Item Number           | 20-00000166          |
| Category              | Valve                |



| No | Part   | Material                       | Code           | Application                   |
|----|--------|--------------------------------|----------------|-------------------------------|
| 1  | Body   | Stainless Steel                | ASTM A351-CF8M | Air                           |
| 2  | Cap    | Stainless Steel                | ASTM A351-CF8M | Boiler feedwater              |
| 3  | Ball   | Stainless Steel                | ASTM A351-CF8M | Cargo oil                     |
| 4  | Seat   | PTFE                           |                | Condensate                    |
| 5  | Stem   | Stainless Steel                | ASTM A276-316  | Corrosive fluids              |
| 6  | Handle | Stainless Steel, Plastic Cover | AISI 304       | Flammable hydraulic oil       |
|    |        |                                |                | Fuel oil                      |
|    |        |                                |                | Gas                           |
|    |        |                                |                | Lubricating oil               |
|    |        |                                |                | Non-flammable hydraulic fluid |
|    |        |                                |                | Sea water                     |
|    |        |                                |                | Water                         |

| DN | Pressure Rating Id | L  | Kg  | L1  | Inch | H    | Ø A |
|----|--------------------|----|-----|-----|------|------|-----|
| 20 | 1000               | 80 | 0.5 | 125 | 3/4" | 63,5 | 20  |

