



BALL VALVE 1" PN63

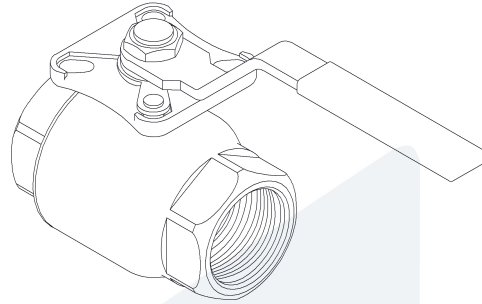
20-00000172
442095

Straight type - with direct mounting pad

DESCRIPTION: Two piece, full bore, Stainless Steel body ball valve with Stainless Steel ball and PTFE seat. BSPP female threaded ends. With direct mounting pad.

STANDARD & DESIGN:

End Standard	ISO 228-1
Top Flange Standard	ISO 5211 - F04/F05
Throughput Direction	Straight
Execution	Full Bore
End Type	Threaded
Design Code	EN 12516-2
Standard	DIN
Material Seat	PTFE
Material Body	Stainless Steel, 316
Sub Category	BALL
Item Number	20-00000172
Category	Valve



No	Part	Material	Code	Application
1	Body	Stainless Steel	ASTM A351-CF8M	Air
2	Cap	Stainless Steel	ASTM A351-CF8M	Boiler feedwater
3	Ball	Stainless Steel	ASTM A351-CF8M	Cargo oil
4	Seat	PTFE		Condensate
5	Stem	Stainless Steel	AISI 316	Corrosive fluids
6	Handle	Stainless Steel, Plastic Cover	AISI 430	Flammable hydraulic oil
				Fuel oil
				Gas
				Lubricating oil
				Non-flammable hydraulic fluid
				Sea water
				Water

DN	Pressure Rating Id	L	Kg	L1	Inch	H1	Ø A	H2	S
25	63	82.5	0.8	136	1"	44.4	25	12	11

