



# BALL VALVE 1 ¼" 1000WOG

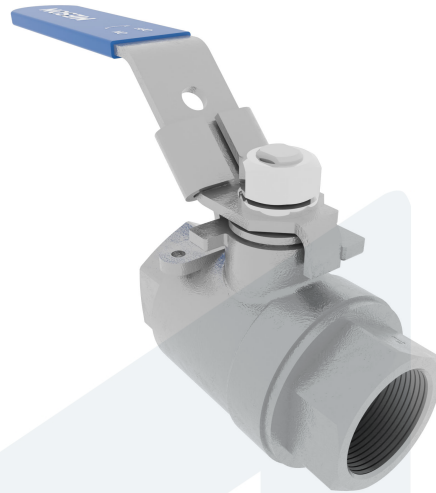
20-00000176  
442095

Straight type

**DESCRIPTION:** Two piece, full bore, Stainless Steel body ball valve with Stainless Steel ball and PTFE seat. BSPP female threaded ends.

**STANDARD & DESIGN:**

End Standard	ISO 228-1
Face To Face Standard	EN 16722
Inspection Standard	API 598
Throughput Direction	Straight
Execution	Full Bore
End Type	Threaded
Standard	DIN
Material Seat	PTFE
Material Body	Stainless Steel, 316
Sub Category	BALL
Item Number	20-00000176
Category	Valve



No	Part	Material	Code	Application
1	Body	Stainless Steel	ASTM A351-CF8M	Air
2	Cap	Stainless Steel	ASTM A351-CF8M	Boiler feedwater
3	Ball	Stainless Steel	ASTM A351-CF8M	Cargo oil
4	Seat	PTFE		Condensate
5	Stem	Stainless Steel	ASTM A276-316	Corrosive fluids
6	Handle	Stainless Steel, Plastic Cover	AISI 304	Flammable hydraulic oil Fuel oil Gas Lubricating oil Non-flammable hydraulic fluid Sea water Water

DN	Pressure Rating Id	L	Kg	L1	Inch	H	Ø A
32	1000	110	1	149	1 1/4"	83	32

