



BALL VALVE 1/4" PN210

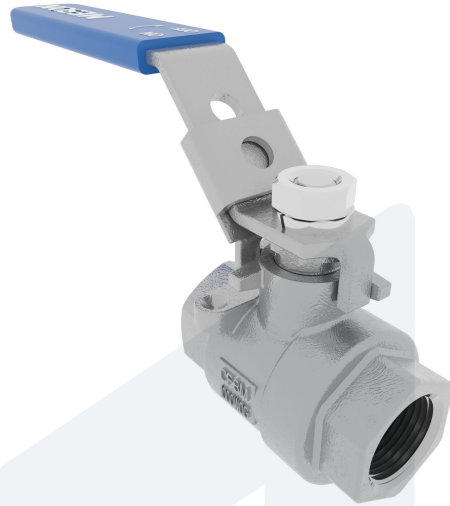
20-0000199
442096

Straight type

DESCRIPTION: Two piece, full bore, Stainless Steel body ball valve with Stainless Steel ball and POM seat. BSPP female threaded ends.

STANDARD & DESIGN:

Throughput Direction	Straight
Execution	Full Bore
End Type	Threaded
Standard	DIN
Material Seat	POM
Material Body	Stainless Steel, 316
Sub Category	BALL
Item Number	20-0000199
Category	Valve



No	Part	Material	Code	Application
1	Body	Stainless Steel	ASTM A351-CF8M	Air
2	Cap	Stainless Steel	ASTM A351-CF8M	Boiler feedwater
3	Ball	Stainless Steel	ASTM A351-CF8M	Cargo oil
4	Seat	POM		Condensate
5	Stem	Stainless Steel	AISI 316	Corrosive fluids
6	Handle	Stainless Steel, Plastic Cover	AISI 430	Flammable hydraulic oil
				Fuel oil
				Gas
				Lubricating oil
				Non-flammable hydraulic fluid
				Sea water
				Water

DN	Pressure Rating Id	L	L1	Inch	H	Ø A
8	210	60.5	95	1/4"	58	11.6

