



BALL VALVE 1" PN210

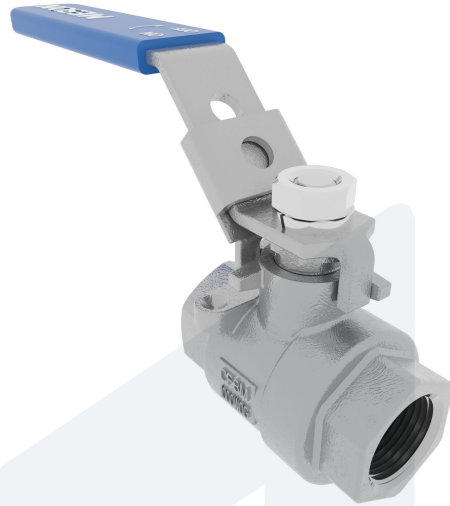
20-0000203
442096

Straight type

DESCRIPTION: Two piece, full bore, Stainless Steel body ball valve with Stainless Steel ball and POM seat. BSPP female threaded ends.

STANDARD & DESIGN:

| | |
|----------------------|----------------------|
| Throughput Direction | Straight |
| Execution | Full Bore |
| End Type | Threaded |
| Standard | DIN |
| Material Seat | POM |
| Material Body | Stainless Steel, 316 |
| Sub Category | BALL |
| Item Number | 20-0000203 |
| Category | Valve |



| No | Part | Material | Code | Application |
|----|--------|--------------------------------|----------------|-------------------------------|
| 1 | Body | Stainless Steel | ASTM A351-CF8M | Air |
| 2 | Cap | Stainless Steel | ASTM A351-CF8M | Boiler feedwater |
| 3 | Ball | Stainless Steel | ASTM A351-CF8M | Cargo oil |
| 4 | Seat | POM | | Condensate |
| 5 | Stem | Stainless Steel | AISI 316 | Corrosive fluids |
| 6 | Handle | Stainless Steel, Plastic Cover | AISI 430 | Flammable hydraulic oil |
| | | | | Fuel oil |
| | | | | Gas |
| | | | | Lubricating oil |
| | | | | Non-flammable hydraulic fluid |
| | | | | Sea water |
| | | | | Water |

| DN | Pressure Rating Id | L | L1 | Inch | H | Ø A |
|----|--------------------|----|-----|------|----|------|
| 25 | 210 | 90 | 135 | 1" | 77 | 25.4 |

