



BALL VALVE DN65 PN16

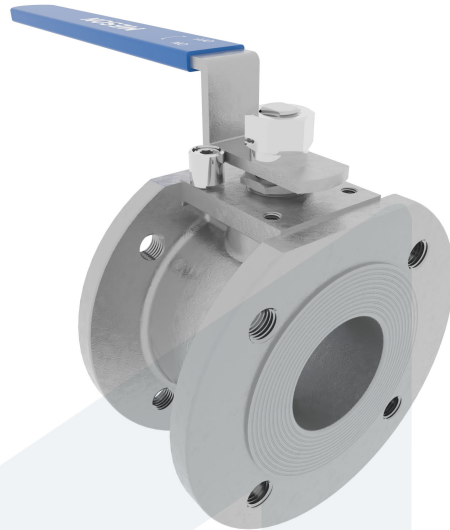
Straight type - short length

20-00000766
446292

DESCRIPTION: Two piece, full bore, short length, Stainless Steel body ball valve with Hard Chromed Brass ball and RTFE seat. Raised face flanges. With non-direct mounting pad.

STANDARD & DESIGN:

End Standard	EN 1092-1
Inspection Standard	API 598
Remark	Connection: PN16
Min temperature	-20°C
Top Flange Standard	ISO 5211 - F07 non-direct
Max temperature	+200°C
Throughput Direction	Straight
Execution	Full Bore
End Type	Flanged
Design Code	ASME B16.34
Standard	DIN
Material Seat	RTFE
Material Body	Stainless Steel, 316
Sub Category	BALL
Item Number	20-00000766
Category	Valve



No	Part	Material	Code	Application
1	Body	Stainless Steel	ASTM A351-CF8M	Air
2	Cap	Stainless Steel	ASTM A351-CF8M	Boiler feedwater
3	Ball	Stainless Steel	ASTM A351-CF8M	Cargo oil
4	Seat	RTFE		Condensate
5	Stem	Stainless Steel	ASTM A276-316	Corrosive fluids
6	Handle	Stainless Steel, Plastic Cover	AISI 304	Flammable hydraulic oil
				Fuel oil
				Gas
				Lubricating oil
				Non-flammable hydraulic fluid
				Sea water
				Water

DN	Pressure Rating Id	nxdd	Hcd	Ø D	L	Kg	L1	H	Ø A
65	16	4xM16	145	186	107	9.9	282	143	65

