



BALL VALVE 1/2" 1000WOG

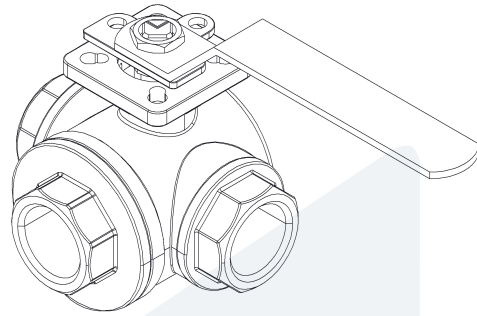
20-00000846
448395

3-way type - T-port - with direct mounting pad

DESCRIPTION: 3-way, full bore, Stainless Steel body ball valve with Stainless Steel ball and RPTFE seat. BSPP female threaded ends. With direct mounting pad.

STANDARD & DESIGN:

| | |
|----------------------|----------------------|
| End Standard | ISO 228-1 |
| Inspection Standard | API 598 |
| Min temperature | -25°C |
| Top Flange Standard | ISO 5211 - F03/F04 |
| Max temperature | +230°C |
| Throughput Direction | 3-way |
| Execution | Full Bore |
| Variant | T-port |
| End Type | Threaded |
| Design Code | ASME B16.34 |
| Standard | DIN |
| Material Seat | R-PTFE |
| Material Body | Stainless Steel, 316 |
| Sub Category | BALL |
| Item Number | 20-00000846 |
| Category | Valve |



| No | Part | Material | Code | Application |
|----|--------|------------------------------|---------------|-------------------------------|
| 1 | Body | Stainless Steel | A351 Gr. CF8M | Air |
| 2 | Cap | Stainless Steel | A351 Gr. CF8M | Boiler feedwater |
| 3 | Ball | Stainless Steel | SS 316 | Cargo oil |
| 4 | Seat | RPTFE | | Condensate |
| 5 | Stem | Stainless Steel | SS 316 | Corrosive fluids |
| 6 | Handle | Stainless Steel, Vinyl Cover | SS 304 | Flammable hydraulic oil |
| | | | | Fuel oil |
| | | | | Gas |
| | | | | Lubricating oil |
| | | | | Non-flammable hydraulic fluid |
| | | | | Sea water |
| | | | | Water |

| DN | Pressure Rating Id | L | Kg | L1 | Inch | H | H1 | Ø A | B | H2 | S | H4 | H3 |
|----|--------------------|----|-----|-----|------|----|----|-----|------|----|---|------|------|
| 15 | 1000 | 83 | 0.9 | 130 | 1/2" | 64 | 41 | 15 | 41.5 | 11 | 9 | 23.2 | 13.4 |

