



# BALL VALVE 1" 1000WOG

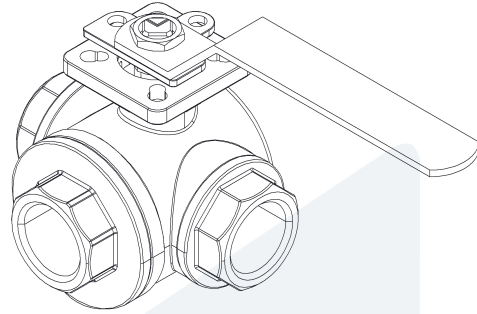
20-00000849  
448395

3-way type - L-port - with direct mounting pad

**DESCRIPTION:** 3-way, full bore, Stainless Steel body ball valve with Stainless Steel ball and RPTFE seat. BSPP female threaded ends. With direct mounting pad.

**STANDARD & DESIGN:**

End Standard	ISO 228-1
Inspection Standard	API 598
Min temperature	-25°C
Top Flange Standard	ISO 5211 - F04/F05
Max temperature	+230°C
Throughput Direction	3-way
Execution	Full Bore
Variant	L-port
End Type	Threaded
Design Code	ASME B16.34
Standard	DIN
Material Seat	R-PTFE
Material Body	Stainless Steel, 316
Sub Category	BALL
Item Number	20-00000849
Category	Valve



No	Part	Material	Code	Application
1	Body	Stainless Steel	A351 Gr. CF8M	Air
2	Cap	Stainless Steel	A351 Gr. CF8M	Boiler feedwater
3	Ball	Stainless Steel	SS 316	Cargo oil
4	Seat	RPTFE		Condensate
5	Stem	Stainless Steel	SS 316	Corrosive fluids
6	Handle	Stainless Steel, Vinyl Cover	SS 304	Flammable hydraulic oil
				Fuel oil
				Gas
				Lubricating oil
				Non-flammable hydraulic fluid
				Sea water
				Water

DN	Pressure Rating Id	L	Kg	L1	Inch	H	H1	Ø A	B	H2	S	H4	H3
25	1000	112	2.2	165	1"	89	55	25	56	14	11	34	15

