



# BALL VALVE 4" 1000WOG

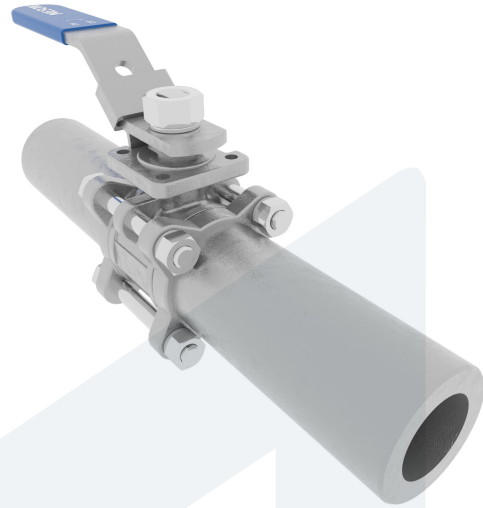
Straight type

20-00000919  
440695

**DESCRIPTION:** Three piece, full bore, Stainless Steel body ball valve with Stainless Steel ball and PTFE seat. Long butt welded ends. With non-direct mounting pad.

**STANDARD & DESIGN:**

Top Flange Standard	ISO 5211 - F10 non-direct
Throughput Direction	Straight
Execution	Full Bore
End Type	Butt welded, long
Standard	DIN
Material Seat	PTFE
Material Body	Stainless Steel, 316
Sub Category	BALL
Item Number	20-00000919
Category	Valve



No	Part	Material	Code	Application
6	Handle	Stainless Steel, Plastic Cover	AISI 304	Air
1	Body	Stainless Steel	ASTM A351-CF8M	Boiler feedwater
2	Cap	Stainless Steel	ASTM A351-CF8M	Cargo oil
3	Ball	Stainless Steel	ASTM A351-CF8M	Condensate
4	Seat	PTFE		Corrosive fluids
5	Stem	Stainless Steel	AISI 316	Flammable hydraulic oil
				Fuel oil
				Gas
				Lubricating oil
				Non-flammable hydraulic fluid
				Sea water
				Water

DN	Pressure Rating Id	L	Kg	L1	H	Ø A	Ø E	Ø B
100	1000	365	23.8	295	177	100	115	100

