



BALL VALVE 3/4" 1200WOG

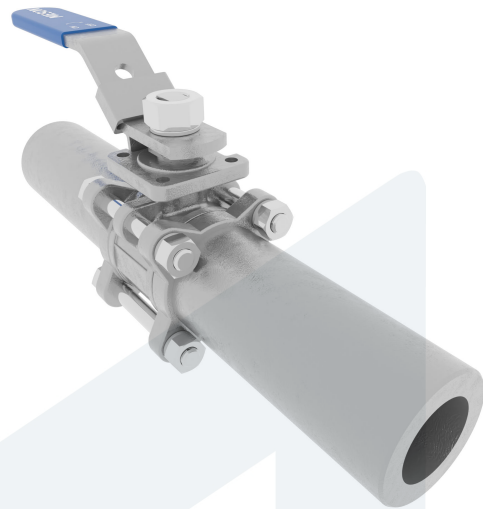
20-00001001
440665

Straight type

DESCRIPTION: Three piece, full bore, Cast Steel body ball valve with Stainless Steel ball and PTFE seat. Long butt welded ends. With non-direct mounting pad.

STANDARD & DESIGN:

Top Flange Standard	ISO 5211 - F03 non-direct
Throughput Direction	Straight
Execution	Full Bore
End Type	Butt welded, long
Standard	DIN
Material Seat	PTFE
Material Body	Cast Steel
Sub Category	BALL
Item Number	20-00001001
Category	Valve



No	Part	Material	Code	Application
1	Body	Cast Steel	ASTM A216-WCB	Air
2	Cap	Cast Steel	ASTM A216-WCB	Boiler feedwater
3	Ball	Stainless Steel	ASTM A351-CF8	Cargo oil
4	Seat	PTFE		Condensate
5	Stem	Stainless Steel	AISI 316	Flammable hydraulic oil
6	Handle	Stainless Steel, Plastic Cover	AISI 304	Fuel oil
				Gas
				Lubricating oil
				Non-flammable hydraulic fluid
				Sea water
				Steam
				Thermal oil
				Water

DN	Pressure Rating Id	L	Kg	L1	H	Ø A	Ø E	Ø B
20	1200	225	0.9	110	63	20	27.5	22.5

