



BALL VALVE 1" 1200WOG

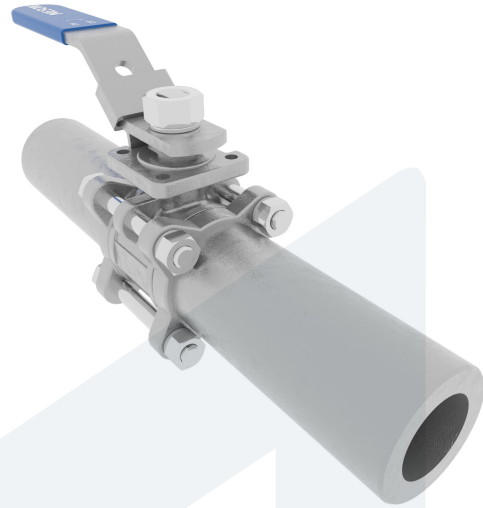
Straight type

20-00001009
440695

DESCRIPTION: Three piece, full bore, Stainless Steel body ball valve with Stainless Steel ball and PTFE seat. Long butt welded ends. With non-direct mounting pad.

STANDARD & DESIGN:

| | |
|----------------------|---------------------------|
| Top Flange Standard | ISO 5211 - F04 non-direct |
| Throughput Direction | Straight |
| Execution | Full Bore |
| End Type | Butt welded, long |
| Standard | DIN |
| Material Seat | PTFE |
| Material Body | Stainless Steel, 316 |
| Sub Category | BALL |
| Item Number | 20-00001009 |
| Category | Valve |



| No | Part | Material | Code | Application |
|----|--------|--------------------------------|----------------|-------------------------------|
| 6 | Handle | Stainless Steel, Plastic Cover | AISI 304 | Air |
| 1 | Body | Stainless Steel | ASTM A351-CF8M | Boiler feedwater |
| 2 | Cap | Stainless Steel | ASTM A351-CF8M | Cargo oil |
| 3 | Ball | Stainless Steel | ASTM A351-CF8M | Condensate |
| 4 | Seat | PTFE | | Corrosive fluids |
| 5 | Stem | Stainless Steel | AISI 316 | Flammable hydraulic oil |
| | | | | Fuel oil |
| | | | | Gas |
| | | | | Lubricating oil |
| | | | | Non-flammable hydraulic fluid |
| | | | | Sea water |
| | | | | Water |

| DN | Pressure Rating Id | L | Kg | L1 | H | Ø A | Ø E | Ø B |
|----|--------------------|-----|-----|-----|----|-----|------|-----|
| 25 | 1200 | 245 | 1.4 | 135 | 79 | 25 | 33.5 | 28 |

