



BALL VALVE 1 1/2" 1200WOG

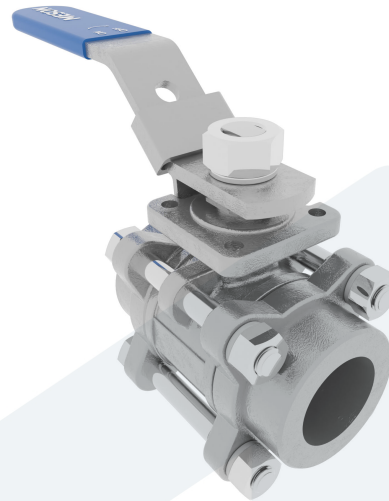
20-00001015
440565

Straight type

DESCRIPTION: Three piece, full bore, Cast Steel body ball valve with Stainless Steel ball and PTFE seat. Butt welded ends. With non-direct mounting pad.

STANDARD & DESIGN:

Top Flange Standard	ISO 5211 - F05 non-direct
Throughput Direction	Straight
Execution	Full Bore
End Type	Butt welded
Standard	DIN
Material Seat	PTFE
Material Body	Cast Steel
Sub Category	BALL
Item Number	20-00001015
Category	Valve



No	Part	Material	Code	Application
6	Handle	Stainless Steel, Plastic Cover	AISI 430	Air
1	Body	Cast Steel	ASTM A216-WCB	Boiler feedwater
2	Cap	Cast Steel	ASTM A216-WCB	Cargo oil
3	Ball	Stainless Steel	ASTM A351-CF8	Condensate
4	Seat	PTFE		Flammable hydraulic oil
5	Stem	Stainless Steel	AISI 316	Fuel oil
				Gas
				Lubricating oil
				Non-flammable hydraulic fluid
				Sea water
				Steam
				Thermal oil
				Water

DN	Pressure Rating Id	L	Kg	L1	H	Ø A	Ø E	Ø B
40	1200	115	2.4	165	94	38	50	43

