



BALL VALVE 4" 1000WOG

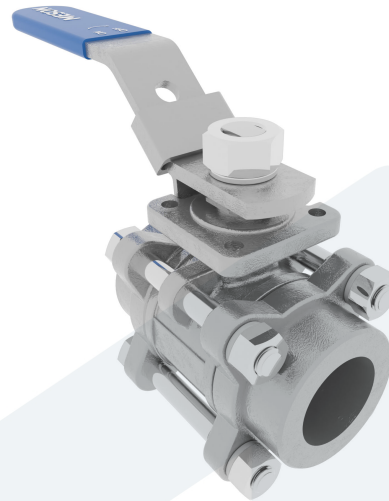
20-00001017
440565

Straight type

DESCRIPTION: Three piece, full bore, Cast Steel body ball valve with Stainless Steel ball and PTFE seat. Butt welded ends. With non-direct mounting pad.

STANDARD & DESIGN:

End Standard	ISO 228-1
Top Flange Standard	ISO 5211 - F10 non-direct
Throughput Direction	Straight
Execution	Full Bore
End Type	Butt welded
Standard	DIN
Material Seat	PTFE
Material Body	Cast Steel
Sub Category	BALL
Item Number	20-00001017
Category	Valve



No	Part	Material	Code	Application
1	Body	Cast Steel	ASTM A216-WCB	Air
2	Cap	Cast Steel	ASTM A216-WCB	Boiler feedwater
3	Ball	Stainless Steel	ASTM A351-CF8	Cargo oil
4	Seat	PTFE		Condensate
5	Stem	Stainless Steel	AISI 316	Flammable hydraulic oil
6	Handle	Stainless Steel, Plastic Cover	AISI 430	Fuel oil
				Gas
				Lubricating oil
				Non-flammable hydraulic fluid
				Sea water
				Steam
				Thermal oil
				Water

DN	Pressure Rating Id	L	L1	Inch	H	Ø A
100	1000	231.4	325	4"	177	100

