



# BALL VALVE 1/4" 1200WOG

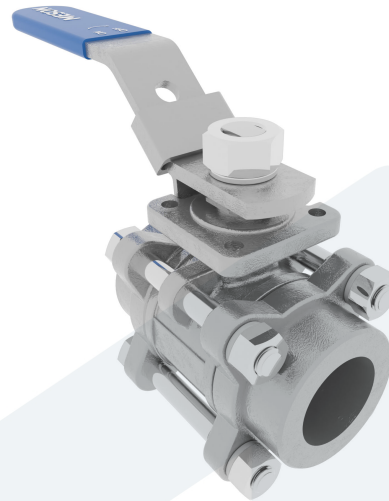
20-00001048  
440595

Straight type

**DESCRIPTION:** Three piece, full bore, Stainless Steel body ball valve with Stainless Steel ball and PTFE seat. Butt welded ends. With non-direct mounting pad.

**STANDARD & DESIGN:**

Top Flange Standard	ISO 5211 - F03 non-direct
Throughput Direction	Straight
Execution	Full Bore
End Type	Butt welded
Standard	DIN
Material Seat	PTFE
Material Body	Stainless Steel, 316
Sub Category	BALL
Item Number	20-00001048
Category	Valve



No	Part	Material	Code	Application
1	Body	Stainless Steel	ASTM A351-CF8M	Air
2	Cap	Stainless Steel	ASTM A351-CF8M	Boiler feedwater
3	Ball	Stainless Steel	ASTM A351-CF8M	Cargo oil
4	Seat	PTFE		Condensate
5	Stem	Stainless Steel	AISI 316	Corrosive fluids
6	Handle	Stainless Steel, Plastic Cover	AISI 430	Flammable hydraulic oil
				Fuel oil
				Gas
				Lubricating oil
				Non-flammable hydraulic fluid
				Sea water
				Water

DN	Pressure Rating Id	L	L1	Inch	H	Ø A
8	1200	58.2	95	1/4"	55	11.6

