



# BALL VALVE 3" PN32

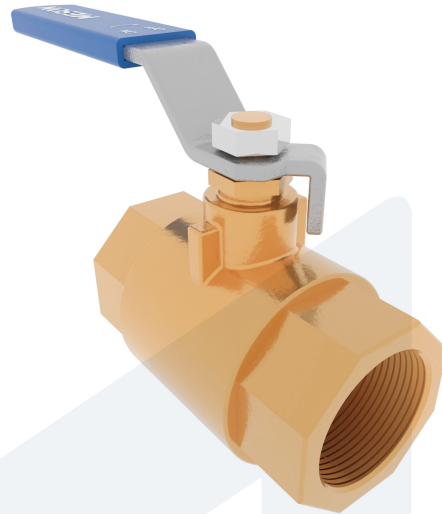
Straight type - galvanized iron handle

M80527  
443024

**DESCRIPTION:** Two piece, full bore, RG5 body ball valve with Hard Chromed Brass ball and PTFE seat. BSPP female threaded ends.

**STANDARD & DESIGN:**

End Standard	ISO 228-1
Min temperature	-10°C
Max temperature	+120°C
Throughput Direction	Straight
Execution	Full Bore
End Type	Threaded
Standard	DIN
Material Seat	PTFE
Material Body	Bronze
Sub Category	BALL
Item Number	M80527
Category	Valve



No	Part	Material	Code	Application
1	Body	Bronze	CC 491K	Air
2	Cap	Bronze	CC 491K	Boiler feedwater
3	Ball	Brass, Chrome-Plated	CW 617N	Cargo oil
4	Seat	PTFE		Condensate
5	Stem	Brass	CW 617N	Flammable hydraulic oil
6	Handle	Galvanised Iron, Plastic Cover		Fuel oil
				Gas
				Lubricating oil
				Non-flammable hydraulic fluid
				Sea water
				Water

DN	Pressure Rating Id	L	L1	Inch	H
80	32	178	280	3"	134

