



BUTTERFLY VALVE L DN40 PN25

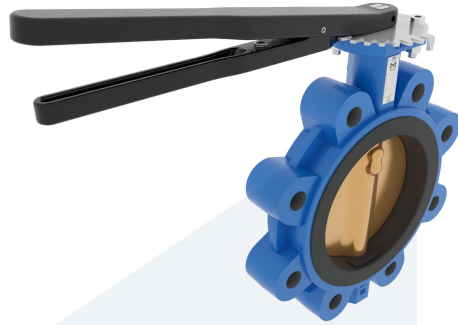
Lug type - with lever

M34124
710703

DESCRIPTION: Nodular Cast Iron body, vulcanized liner lugged type butterfly valve with Aluminium Bronze disc. Centric free stem with standardized pattern for actuator mounting. Can handle negative pressure (vacuum), due to the meticulous vulcanization process.

STANDARD & DESIGN:

End Standard	EN 1092-2
Face To Face Standard	EN 558, series 20
Inspection Standard	EN 12266
Remark	Connection: PN25
Min temperature	-15°C
Top Flange Standard	ISO 5211 - F07
Max temperature	+80°C
Variant	Lever
End Type	Lug
Design Code	EN 593
Standard	DIN
Material Seat	NBR
Material Disc	Aluminium Bronze
Material Body	Nodular Cast Iron, GGG40
Sub Category	BUTTERFLY
Item Number	M34124
Category	Valve



No	Part	Material	Code	Application
6	Lever	Nodular Cast Iron	GGG40	Air
7	Position plate	Stainless Steel	1.4401	Boiler feedwater
1	Body	Nodular Cast Iron	GGG40	Cargo oil
2	Disc	Aluminium Bronze		Condensate
3	Seat	NBR max working temp. 80°C		Flammable hydraulic oil
4	Stem	Stainless Steel	1.4057	Fuel oil
5	Pin	Duplex Stainless Steel	1.4462	Gas
				Lubricating oil
				Non-flammable hydraulic fluid
				Sea water
				Water

DN	Pressure Rating Id	nxdd	Hcd	Ø D	L	Kg	L1	H	H1	L2	H2
40	25	4xM16	110	147	33	2.6	232	232,5	67	101	113

