



710901 BUTTERFLY VALVE L DN150

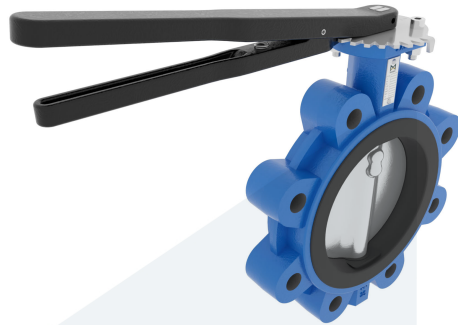
Lug type with lever

M35547
710901

DESCRIPTION: Nodular Cast Iron body, vulcanized liner lugged type butterfly valve with Stainless Steel disc. Centric free stem with standardized pattern for actuator mounting. Can handle negative pressure (vacuum), due to the meticulous vulcanization process.

STANDARD & DESIGN:

End Standard	JIS B2239
Face To Face Standard	EN 558, series 20
Inspection Standard	EN 12266
Remark	Connection: JIS 5K
Min temperature	-15°C
Top Flange Standard	ISO 5211 - F07
Max temperature	+80°C
Variant	Lever
End Type	Lug
Design Code	EN 593
Standard	JIS
Material Seat	NBR
Material Disc	Stainless Steel, 316
Material Body	Nodular Cast Iron, GGG40
Sub Category	BUTTERFLY
Item Number	M35547
Category	Valve



No	Part	Material	Code	Application
1	Body	Nodular Cast Iron	GGG40	Boiler feedwater
2	Disc	Stainless Steel	1.4408	Condensate
3	Seat	NBR max working temp. 80°C		Sea water
4	Stem	Stainless Steel	1.4057	Water
5	Pin	Duplex Stainless Steel	1.4462	

DN	Pressure Rating Id	nxdd	Hcd	Ø D	L	Kg	L1	H	H1	L2	Ø D2	H2	S	H3
150	5	8xM16	230	290	56	14	329	384	140	101	90	180	14	20

