



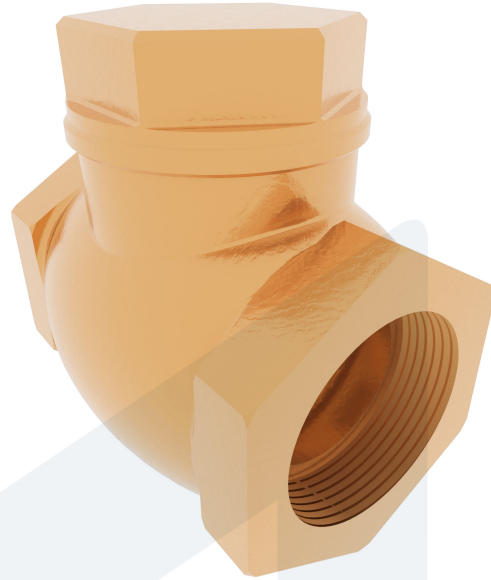
SWING CHECK VALVE 1" PN16

60-0000009
304222

DESCRIPTION: RG5 body swing check valve with PTFE soft sealing. Screwed cover. BSPP female threaded ends.

STANDARD & DESIGN:

End Standard	ISO 228-1
Inspection Standard	EN 12266
Min temperature	-10°C
Max temperature	+180°C
Throughput Direction	Straight
End Type	Threaded
Standard	DIN
Material Seat	PTFE
Material Disc	Brass
Material Body	Bronze
Sub Category	CHECK
Item Number	60-0000009
Category	Valve



No	Part	Material	Code	Application
1	Body	Bronze	CC 491K	Boiler feedwater
2	Cap	Brass	CW 614N	Cargo oil
3	Disc	Brass	CW 614N	Condensate
4	Gasket	Asbestos Free	SIL C4400	Flammable hydraulic oil
5	Swing	Brass	CW 614N	Fuel oil
6	Seal	PTFE		Lubricating oil
				Sea water
				Water

DN	Pressure Rating Id	L	Kg	Inch	H	Ø A
25	16	80	0.8	1"	55	22

