



SWING CHECK VALVE DN150 PN16

60-00000540
370252

DESCRIPTION: Cast Iron body, full bore swing check valve with NBR soft sealing. Raised face flanges.

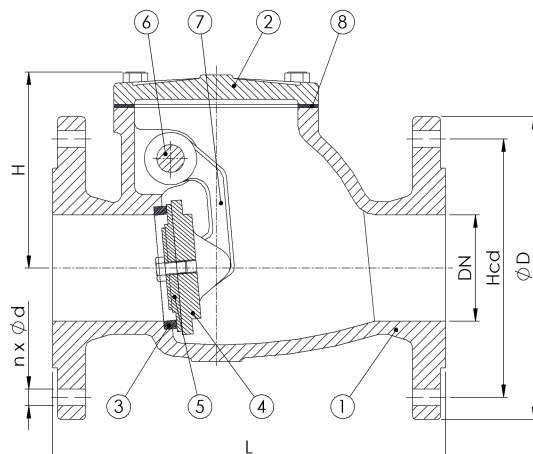
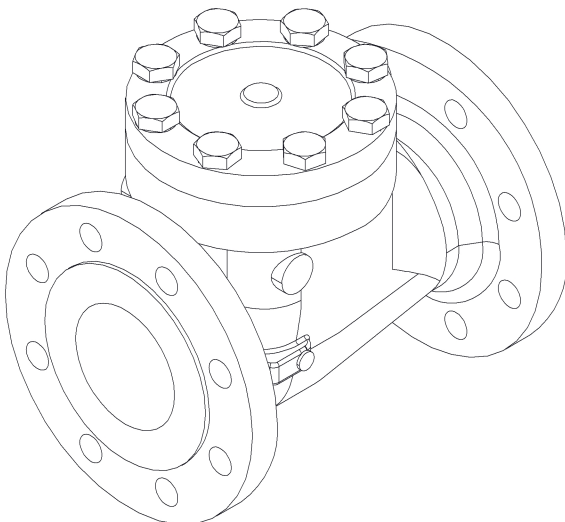
STANDARD & DESIGN:

End Standard	EN 1092-2
Face To Face Standard	EN 558, series 48
Remark	Connection: PN16
Min temperature	-10°C
Max temperature	+120°C
Throughput Direction	Straight
Execution	Full Bore
End Type	Flanged
Design Code	DIN 3232
Standard	DIN
Material Seat	Bronze
Material Disc	Nodular Cast Iron, GGG40.3
Material Body	Cast Iron
Sub Category	CHECK
Item Number	60-00000540
Category	Valve



No	Part	Material	Code	Application
1	Body	Cast Iron	GG25	Air
2	Bonnet	Cast Iron	GG25	Cargo oil
3	Body seat	Bronze	CC 491K	Flammable hydraulic oil
4	Disc	Nodular Cast Iron	GGG40.3	Fuel oil
5	Disc sealing	NBR		Gas
6	Stem	Brass	CW 614N	Lubricating oil
7	Hinge arm	Nodular Cast Iron	GGG40.3	Sea water
8	Bonnet gasket	Asbestos Free		Water

DN	Pressure Rating Id	nxdd	Hcd	Ø D	L	Kg	H
150	16	8x22	240	285	400	55	190



2023-01-01