



GATE VALVE DN150 JIS 5K

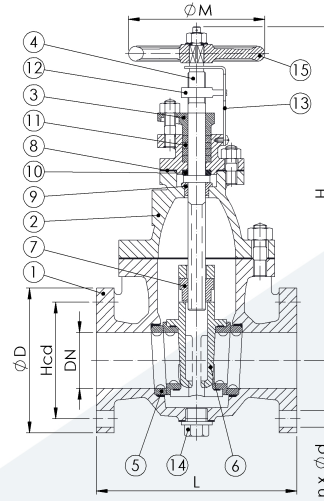
130-0000570
F-7363

With indicator

DESCRIPTION: Cast Iron body gate valve, Cast Iron wedge, Bronze RG5 seat. Non rising stem with open/close indicator and bolted bonnet. Flat face flanges.

STANDARD & DESIGN:

End Standard	JIS B2220
Inspection Standard	JIS F7400
Remark	Connection: JIS 5K
Throughput Direction	Straight
End Type	Flanged
Design Code	JIS F7363
Standard	JIS
Material Seat	Bronze
Material Disc	Cast Iron
Material Body	Cast Iron
Sub Category	GATE
Item Number	130-0000570
Category	Valve



No	Part	Material	Code	Application
1	Body	Cast Iron	HT200	Boiler feedwater
2	Bonnet	Cast Iron	HT200	Cargo oil
3	Gland	Brass	H62	Condensate
4	Stem	Brass	H62	Flammable hydraulic oil
5	Sealing ring	Bronze	ZCuSn5Pb5Zn5	Fuel oil
6	Wedge	Cast Iron	HT200	Lubricating oil
7	Wedge nut	Brass	H62	Non-flammable hydraulic fluid
8	Gasket	Graphite		Sea water
9	Thrust bush	Brass	H62	Thermal oil
10	Thrust pad	Brass	H62	Water
11	Packing	Graphite		
12	Indicator	Brass	H62	
13	Indicator plate	Brass	H62	
14	Plug	Brass	H62	
15	Handwheel	Cast Iron	HT200	

DN	Pressure Rating Id	nxdd	Hcd	Ø D	L	Kg	H	Ø M
150	5	8x19	230	265	270	65.3	560	224

