



GLOBE VALVE 3/4" PN16

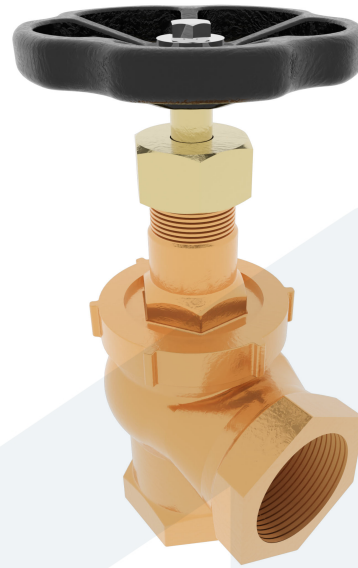
150-00000189
456122

Angled type - SDSL

DESCRIPTION: Angled type, RG5 body, metal seated globe valve with rising stem. Screwed and secured bonnet. BSPP female threaded ends.

STANDARD & DESIGN:

End Standard	EN 10226-1
Min temperature	-10°C
Max temperature	+200°C
Throughput Direction	Angled
Variant	SDSL
End Type	Threaded
Standard	DIN
Material Disc	Bronze
Material Body	Bronze
Sub Category	GLOBE
Item Number	150-00000189
Category	Valve



No	Part	Material	Code	Application
1	Body	Bronze	RG5	Flammable hydraulic oil
2	Bonnet	Bronze	RG5	Fuel oil
3	Gland	Brass	Ms58	Lubricating oil
4	Disc	Bronze	RG5	Sea water
5	Stem	Special Brass	Som59	Steam
6	Bonnet nut	Bronze	RG5	Water
7	Gland nut	Brass	Ms58	
8	Packing	Graphite		
9	Gasket	PTFE		
10	Handwheel	Cast Iron	GG25	

DN	Pressure Rating Id	Kg	L1	Inch	H	L2	Ø M
20	16	0.9	45	3/4"	106	40	80

