



# GLOBE VALVE 1 1/4" PN16

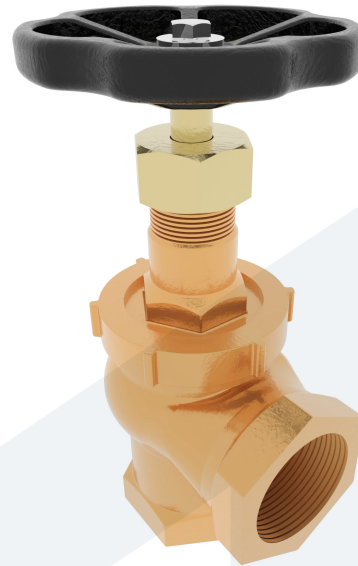
150-00000197  
456122

Angled type - SDSL

**DESCRIPTION:** Angled type, RG5 body, metal seated globe valve with rising stem. Screwed and secured bonnet. BSPF female threaded ends.

**STANDARD & DESIGN:**

End Standard	EN 10226-1
Min temperature	-10°C
Max temperature	+200°C
Throughput Direction	Angled
Variant	SDSL
End Type	Threaded
Standard	DIN
Material Disc	Bronze
Material Body	Bronze
Sub Category	GLOBE
Item Number	150-00000197
Category	Valve



No	Part	Material	Code	Application
1	Body	Bronze	RG5	Flammable hydraulic oil
2	Bonnet	Bronze	RG5	Fuel oil
3	Gland	Brass	Ms58	Lubricating oil
4	Disc	Bronze	RG5	Sea water
5	Stem	Special Brass	Som59	Steam
6	Bonnet nut	Bronze	RG5	Water
7	Gland nut	Brass	Ms58	
8	Packing	Graphite		
9	Gasket	PTFE		
10	Handwheel	Cast Iron	GG25	

DN	Pressure Rating Id	Kg	L1	Inch	H	L2	Ø M
32	16	1.9	55	1 1/4"	125	50	90

