



# GLOBE VALVE DN32 PN16

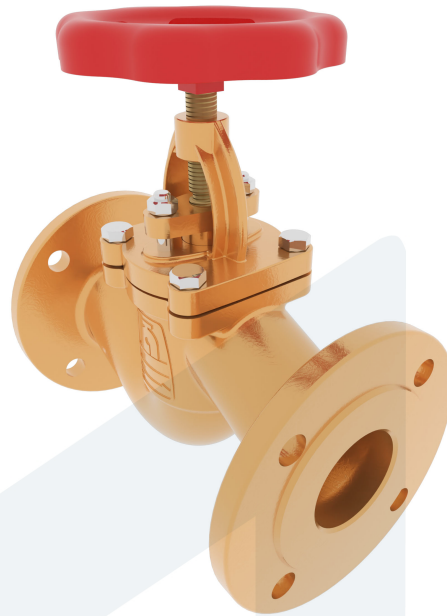
150-0000308  
458822

Straight type - SDSL

**DESCRIPTION:** Straight type, RG5 body, metal seated globe valve with rising stem. Bolted bonnet. Raised face flanges.

**STANDARD & DESIGN:**

End Standard	EN 1092-3
Face To Face Standard	EN 558, series 1
Remark	Connection: PN16
Throughput Direction	Straight
Variant	SDSL
End Type	Flanged
Standard	DIN
Material Disc	Bronze
Material Body	Bronze
Sub Category	GLOBE
Item Number	150-0000308
Category	Valve



No	Part	Material	Code	Application
1	Body	Bronze	CC 491K	Boiler feedwater
2	Bonnet	Bronze	CC 491K	Cargo oil
3	Gland	Bronze	CC 491K	Condensate
4	Disc	Bronze	CC 491K	Flammable hydraulic oil
5	Stem	Brass	CW 602N	Fuel oil
6	Gasket	Dixo 4000		Lubricating oil
7	Packing	Graphite		Sea water
8	Handwheel	Nodular Cast Iron	GGG40	Steam Water

DN	Pressure Rating Id	nxdd	Hcd	Ø D	L	Kg	H	Ø M
32	16	4x18	100	140	180	5	165	100

