



GLOBE VALVE DN20 PN16

150-0000759
467052

Straight type - SDNR with spring

DESCRIPTION: Straight type, Cast Iron body, metal seated globe valve with rising stem and bolted bonnet. Raised face flanges.

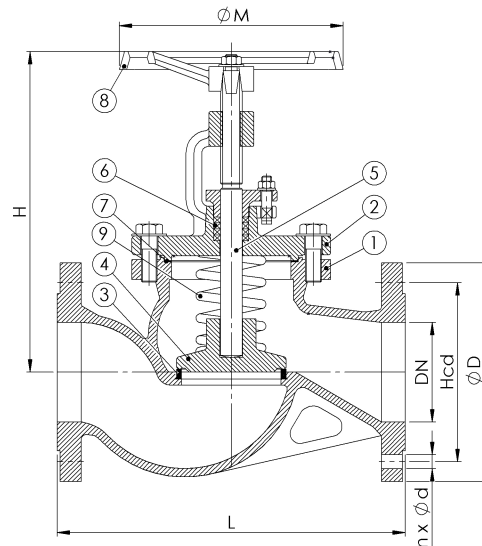
STANDARD & DESIGN:

End Standard	EN 1092-2
Face To Face Standard	EN 558, series 1
Remark	Connection: PN16
Throughput Direction	Straight
Variant	SDNR with spring
End Type	Flanged
Design Code	DIN 86252
Standard	DIN
Material Seat	Stainless Steel, 304
Material Disc	Stainless Steel, 420
Material Body	Cast Iron
Sub Category	GLOBE
Item Number	150-0000759
Category	Valve



No	Part	Material	Code	Application
5	Stem	Stainless Steel	1.4021	Cargo oil
6	Gland packing	Graphite		Flammable hydraulic oil
7	Gasket	Graphite		Fuel oil
8	Handwheel	Cast Iron	GG25	Lubricating oil
1	Body	Cast Iron	GG25	Sea water
2	Bonnet	Cast Iron	GG25	Water
3	Seat	Stainless Steel	1.4301	
4	Disc	Stainless Steel	1.4021	

DN	Pressure Rating Id	nxdd	Hcd	Ø D	L	Kg	H	Ø M
20	16	4x14	75	105	150	4	165	120



2023-01-25