



# GLOBE VALVE DN50 PN16

150-0000801  
467052

Straight type - SDSL

**DESCRIPTION:** Straight type, Cast Iron body, metal seated globe valve with rising stem and bolted bonnet. Raised face flanges.

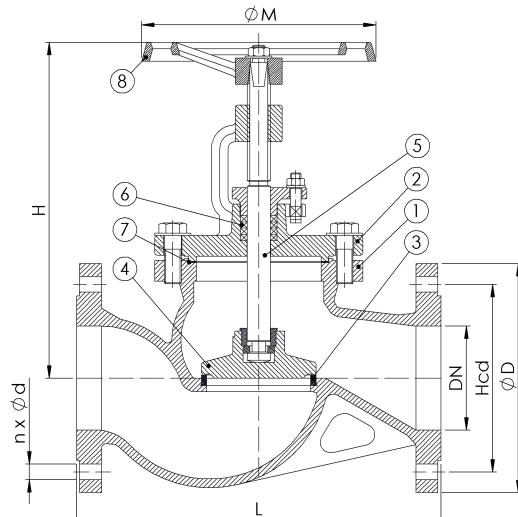
**STANDARD & DESIGN:**

End Standard	EN 1092-2
Face To Face Standard	EN 558, series 1
Remark	Connection: PN16
Throughput Direction	Straight
Variant	SDSL
End Type	Flanged
Design Code	DIN 86251
Standard	DIN
Material Seat	Bronze
Material Disc	Bronze
Material Body	Cast Iron
Sub Category	GLOBE
Item Number	150-0000801
Category	Valve



No	Part	Material	Code	Application
1	Body	Cast Iron	GG25	Cargo oil
2	Bonnet	Cast Iron	GG25	Flammable hydraulic oil
3	Seat	Bronze	RG5	Fuel oil
4	Disc	Bronze	RG5	Lubricating oil
5	Stem	Special Brass	Som59	Sea water
6	Gland packing	Graphite		Water
7	Gasket	Graphite		
8	Handwheel	Cast Iron	GG25	

DN	Pressure Rating Id	nxd	Hcd	Ø D	L	Kg	H	Ø M
50	16	4x19	125	165	230	13	230	160



2023-01-25