



# GLOBE VALVE DN50 PN40

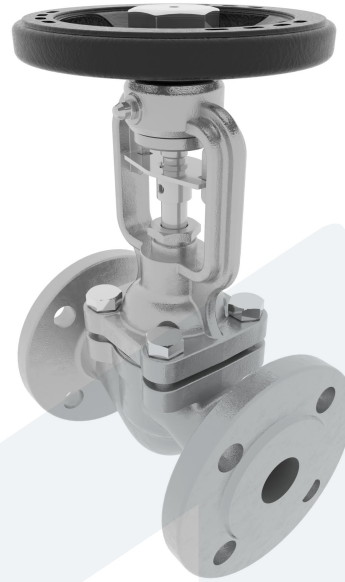
150-00001287  
467094

Straight type - SDSL - bellow sealed

**DESCRIPTION:** Straight type, Stainless Steel body, metal seated globe valve with non-rising bellow sealed stem and bolted bonnet. Raised face flanges.

**STANDARD & DESIGN:**

End Standard	EN 1092-1
Face To Face Standard	EN 558, series 1
Inspection Standard	EN 12266
Remark	Connection: PN40
Throughput Direction	Straight
Execution	Bellow Sealed
Variant	SDSL
End Type	Flanged
Design Code	EN 13709
Standard	DIN
Material Disc	Stainless Steel, 316
Material Body	Stainless Steel, 316
Sub Category	GLOBE
Item Number	150-00001287
Category	Valve



No	Part	Material	Code	Application
1	Body	Stainless Steel	1.4408	Air
2	Bonnet	Stainless Steel	1.4408	Boiler feedwater
3	Disc	Stainless Steel	1.4401	Cargo oil
4	Stem	Stainless Steel	1.4401	Condensate
5	Gland packing	Graphite		Corrosive fluids
6	Gasket	Graphite		Flammable hydraulic oil
7	Handwheel	Carbon Steel		Flammable media
8	Bellow	Stainless Steel	SS316L	Fuel oil
				Lubricating oil
				Non-flammable hydraulic fluid
				Sea water
				Steam
				Thermal oil
				Water

DN	Pressure Rating Id	nxdd	Hcd	Ø D	L	Kg	H	Ø M
50	40	4x18	125	165	230	11.1	235	160

