



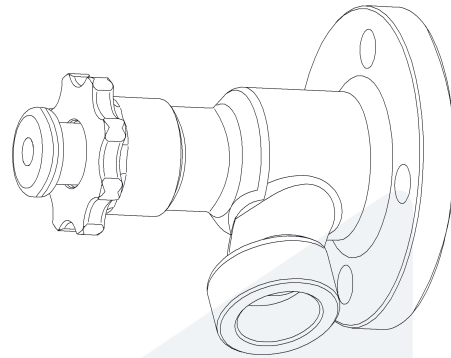
# SELF CLOSING DRAIN VALVE DN25 PN10

230-0000018  
357321

**DESCRIPTION:** Bronze RG5 body, soft sealing self closing drain valve with push button operation. Flat face flanged inlet, BSPP female threaded outlet.

**STANDARD & DESIGN:**

End Standard	EN 1092-3 (Inlet), ISO 228-1 (Outlet)
Remark	Connection: PN10
Throughput Direction	Angled
End Type	Flanged/Threaded
Standard	DIN
Material Seat	NBR
Material Disc	Brass
Material Body	Bronze
Sub Category	SELF
Item Number	230-0000018
Category	Valve



No	Part	Material	Code	Application
1	Body	Bronze	CC 491K	Boiler feedwater
2	Disc	Brass	CW 602N	Cargo oil
3	Stem	Brass	CW 602N	Condensate
4	Locking nut	Bronze	CC 491K	Flammable hydraulic oil
5	Washer	Brass	CW 602N	Fuel oil
6	Disc sealing	NBR		Lubricating oil
7	Spring	Stainless Steel	1.4001	Non-flammable hydraulic fluid
8	Push button	Brass	CW 602N	Sea water
9	O-ring	NBR		Water

DN	Pressure Rating Id	nxdd	Hcd	Ø D	L	Kg	Inch	H
25	10	4x14	85	115	145	2.7	1"	75

