



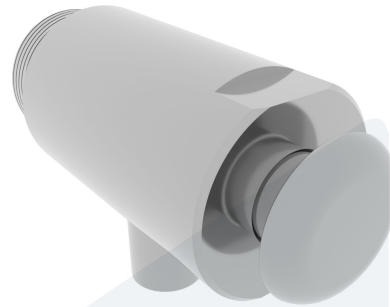
# PUSH BUTTON DRAIN VALVE 1/2" PN16

M33081  
357682

**DESCRIPTION:** Stainless Steel body, soft sealing self closing drain valve with push button operation. BSPP male threaded inlet, drain pipe outlet.

**STANDARD & DESIGN:**

End Standard	ISO 228-1
Max temperature	+80°C
Throughput Direction	Angled
End Type	Threaded
Standard	DIN
Material Seat	NBR
Material Body	Stainless Steel, 304
Sub Category	SELF
Item Number	M33081
Category	Valve



No	Part	Material	Code	Application
1	Body	Stainless Steel	1.4301	Boiler feedwater
2	Stem	Stainless Steel	1.4301	Cargo oil
3	Knob	Stainless Steel	1.4301	Condensate
4	Spring	Stainless Steel	1.4310	Flammable hydraulic oil
5	O-ring	NBR		Fuel oil
6	O-ring	NBR		Lubricating oil
7	Drain pipe	Stainless Steel	1.4436	Non-flammable hydraulic fluid Sea water Water

DN	Pressure Rating Id	L	Kg	L1	Inch	H	L2
15	16	73.5	0.3	25	1/2"	29,5	15

