



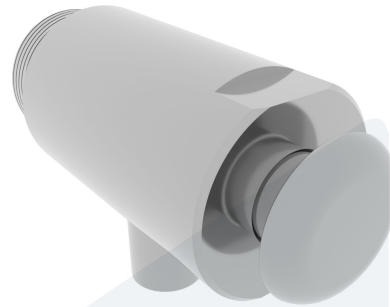
PUSH BUTTON DRAIN VALVE 3/4" PN16

M33082
357682

DESCRIPTION: Stainless Steel body, soft sealing self closing drain valve with push button operation. BSPP male threaded inlet, drain pipe outlet.

STANDARD & DESIGN:

End Standard	ISO 228-1
Max temperature	+80°C
Throughput Direction	Angled
End Type	Threaded
Standard	DIN
Material Seat	NBR
Material Body	Stainless Steel, 304
Sub Category	SELF
Item Number	M33082
Category	Valve



No	Part	Material	Code	Application
1	Body	Stainless Steel	1.4301	Boiler feedwater
2	Stem	Stainless Steel	1.4301	Cargo oil
3	Knob	Stainless Steel	1.4301	Condensate
4	Spring	Stainless Steel	1.4310	Flammable hydraulic oil
5	O-ring	NBR		Fuel oil
6	O-ring	NBR		Lubricating oil
7	Drain pipe	Stainless Steel	1.4436	Non-flammable hydraulic fluid Sea water Water

DN	Pressure Rating Id	L	Kg	L1	Inch	H	L2
20	16	73.6	0.4	25	3/4"	31	15

